



JMS

Joystick Maneuvering System



Ease
Safety
Comfort
Precision



Easy manoeuvring of the boat in restricted spaces with closed loop control of the heading.

Comfort

The Joystick Maneuvering System (JMS) developed by the ZF Marine Electronics Group is a control system providing the helmsman with simple and intuitive boat control and it can be matched to ZF Marine SmartCommand propulsion systems.

Maneuverability

Controlling engines, transmissions and thrusters in a traditional shaft-line vessel, the JMS provides the same ease of control as expected from pod drive systems. Maneuvers such as moving sideways to the dock, 360° rotation on the spot and other complicated maneuvers, difficult with standard control levers, become easy operations. The electronic JMS system also controls the

throttle of the engines and shifts the transmissions with automatically controlled trolling valves to provide the precise speed needed for smooth maneuvering and easy docking. This means driving a pleasure craft becomes even more pleasurable, simple and safe!

The standard “Hold Heading” function, thanks to an integrated electronic compass, keeps the vessel going in the selected direction. The JMS automatically tunes the propulsion system to compensate for current, wind or other external forces to the vessel to maintain the heading constant.

The optional “Hold Position” function thanks to an integrated GPS receiver, enables the vessel to be kept at an exact position and orientation at the press of a button.





Connectivity

It is possible to install up to 6 joystick stations enabling maneuvering of the boat from any location.

Three different logics for transferring control from the levers to the joystick can be selected.

JMS, with all its options, can be retrofitted in existing vessels with electronic engine interface, ZF transmissions and SmartCommand control systems.

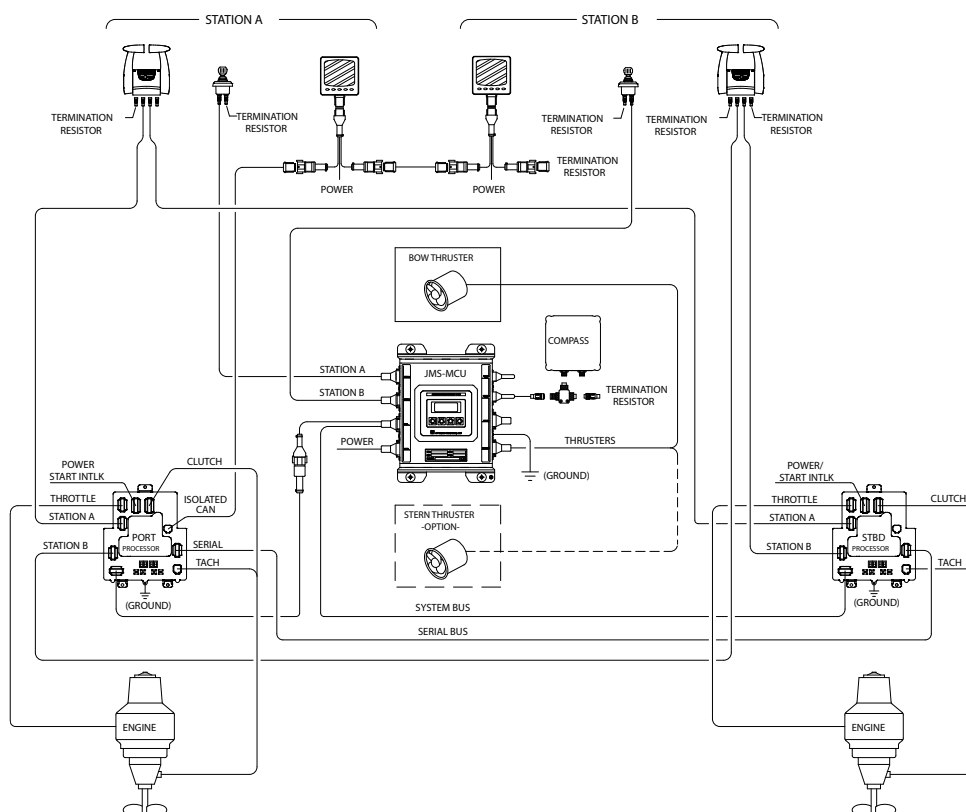
JMS can interface with ZF AC thruster and any DC or hydraulic bow thrusters.

Technical features

- 12/24 V DC system
- CAN based joystick station on 3 proportional axis, with one push button to take control and select functions
- Maneuvering Control Unit (with CE certification)
- CAN connection to SmartCommand processor

Options

- Hold Position
- Interface with ZF SteerCommand



ZF Marine Electronics LLC
12125 Harbour Reach Drive
Suite B
Mukilteo, WA 98275
USA
Tel. +1 (0)425 583 1900
Fax +1 (0)425 493 1569



Driveline and Chassis Technology



Photo: courtesy of Ferretti Group

03 77 006 0310 - March 2010